

High speed door

ASSA ABLOY HS9030GHY

ASSA ABLOY

ASSA ABLOY Entrance Systems

The global leader in
door opening solutions



Compact gravity assisted high speed door for hygienic applications

The ASSA ABLOY HS9030GHY high speed door is designed for interior applications in humid or corrosive environments, and in the food industry where hygiene demands are high. The main features of the ASSA ABLOY HS9030GHY are:

- Medium-sized, max. 4000 x 4000 mm
- Humid or Corrosive environments
- Space saving design
- Inside usage
- Stainless steel 304 construction
- Gravity drive system
- Opening speed up to 2,7 m/s

The ASSA ABLOY HS9030GHY requires very little space, and it is the most space-efficient high speed door available in the market. Reduced footprint on both sides of the door give you approximately 30 cm more selling-space compared to other doors. The door offers perfect sealing thanks to a unique design.

The robust steel, IP54 classified, control box is easy to operate and to program. The mechanical main switch and emergency stop make it foolproof. The clear display gives a wide range of information like an easy to read cycle counter.

Break-away - and Automatic Repair system

ASSA ABLOY high speed doors are equipped with a break-away - and automatic repair system. The curtain reintroduces itself after a crash to reduce downtime and maintenance.

Completely safe

Features that make our doors completely safe.

- The soft bottom edge has no rigid parts, it moulds around any obstruction to prevent injury or damage.
- When an object hits the door, the fabric curtain absorbs the impact and releases itself from its side guides without causing damage or being damaged itself.

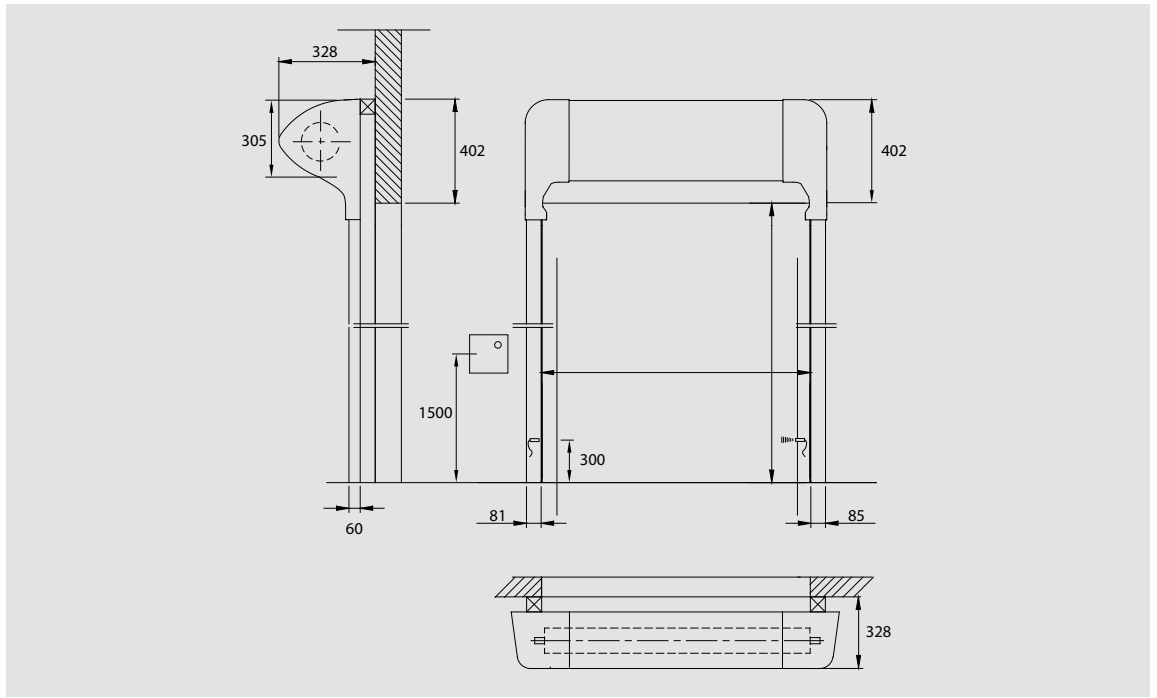
Windows

To increase the admission of daylight and visibility, the door curtain can be equipped with windows or vision panels. Windows have fixed sizes and are located on a pre-defined grid.

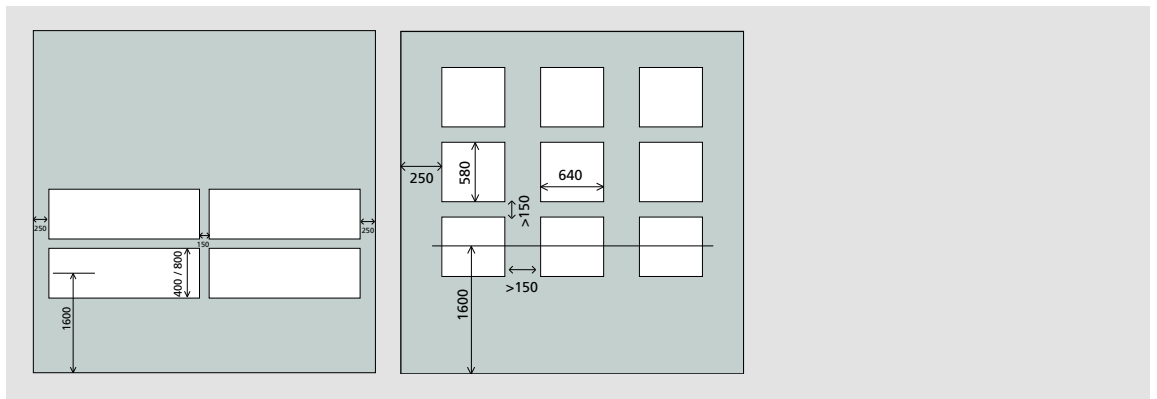
Technical Data

Min size (W x H)	1000 x 2000 mm
Max size (W x H) ¹⁾	4000 x 4000 mm
Operating speed	opening: 2,7 m/s ² closing: 0,5 m/s
Wind load resistance, EN 12424	class 1 (300 N/m ²) maximum wind load while closing 50 N/m ²
Water penetration, EN 12425	class 3 (>50 N/m ²)
Air permeability, EN 12426	class 2 (12 m ³ /m ² /h at 50 Pa)
Thermal transmittance	6,02 W/ (m ² K)
Lifetime expectations	1.000.000 cycles
1) Other sizes available on request	

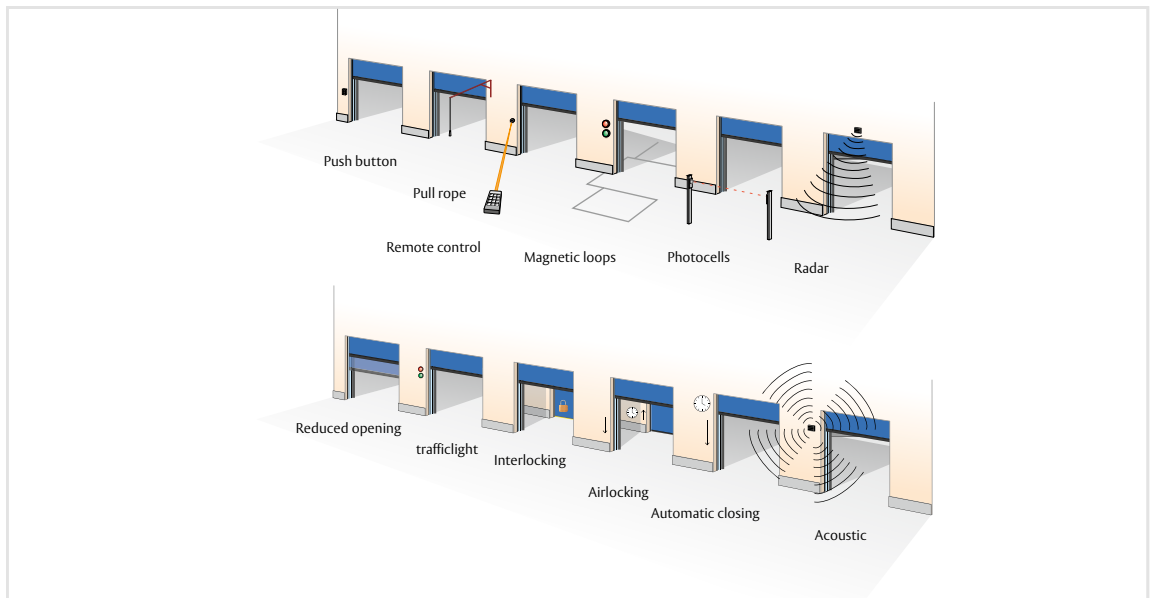
Dimensional specifications



Windows and Vision panels



Options access and automation



Standard available colours

